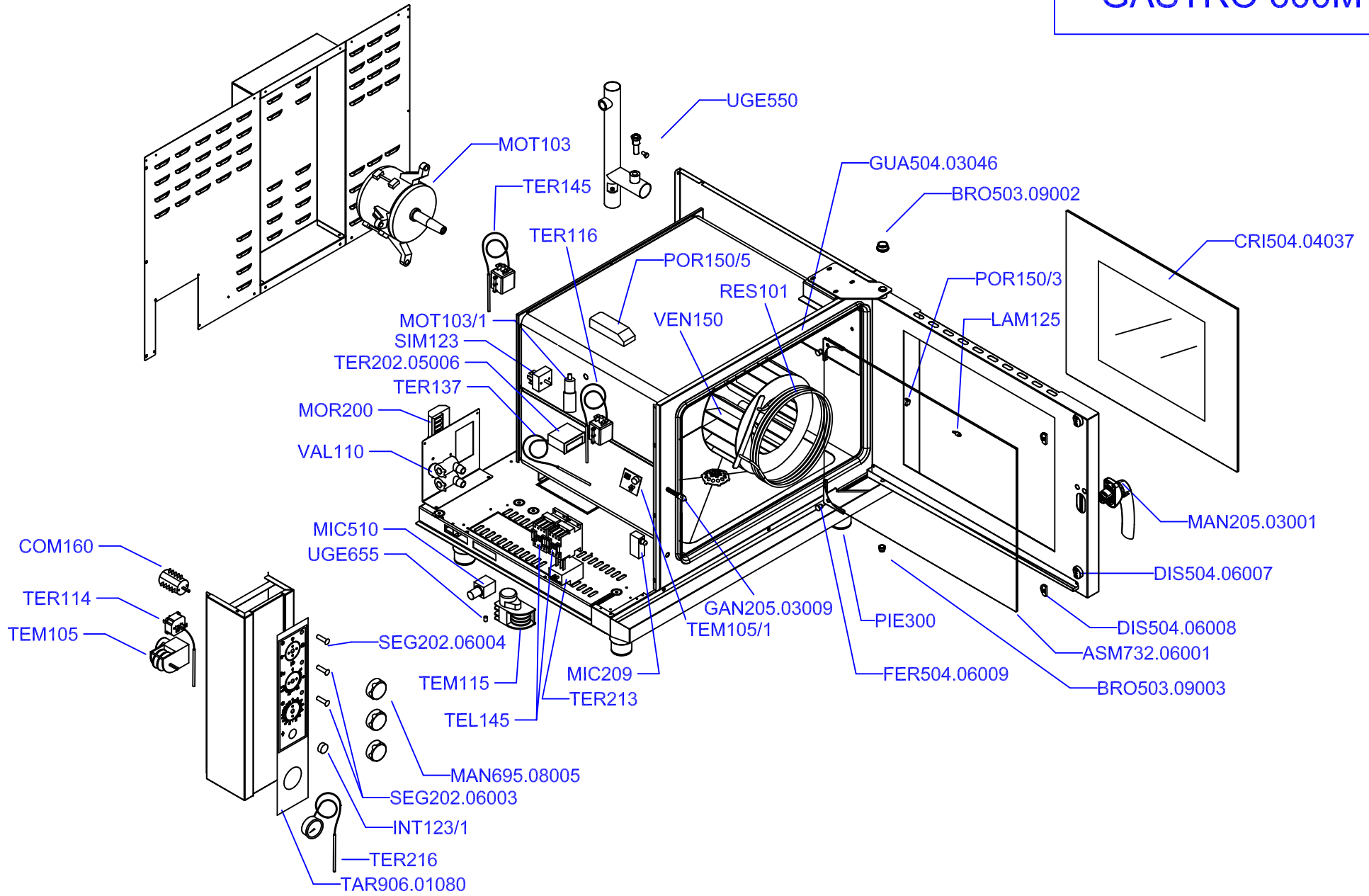


GASTRO 600M



XXXXXX -

GASTRO 600M

IT

ASM732.06001 VETRO INTERNO
 BRO503.09002 BRONZINA CERNIERA SUPERIORE
 BRO503.09003 BRONZINA CERNIERA INFERIORE
 COM160 COMMUTATORE GENERALE
 CRI504.04037 VETRO ESTERNO
 DIS504.06007 BLOCCA VETRO
 DIS504.06008 BLOCCA BETRO RUOTANTE
 FER504.06009 BLOCCA VETRO INTERNO
 GAN205.03009 GANCIO MANIGLIA
 GUA504.03046 GUARNIZIONE CELLA
 INT123/1 PULSANTE UMIDIFICAZIONE
 LAM125 LAMPADINA ALOGENA
 MAN205.03001 MANIGLIA
 MAN695.08005 MANOPOLA COMANDI
 MIC209 MICRO-INTERRUTTORE PORTA
 MIC510 MICROREGOLATORE ACQUA
 MOR200 MORSETTIERA ALIMENTAZIONE
 MOT103 MOTORE VENTOLA
 MOT103/1 CONDENSATORE
 PIE300 PIEDINO
 POR150/3 PORTALAMPADA
 POR150/5 TRASFORMATORE 230/12
 RES101 RESISTENZA
 SEG202.06003 SEGNALE ARANCIO
 SEG202.06004 SEGNALE VERDE
 SIM123 REGOLATORE D'ENERGIA
 TAR906.01080 TARGA ADESIVA COMANDI
 TEL145 CONTATTORE
 TEM105 TEMPORIZZATORE
 TEM105/1 AVVISATORE ACUSTICO
 TEM115 INVERTITORE DI MARCIA VENTOLA
 TER114 TERMOSTATO COTTURA
 TER116 TERMOSTATO SICUREZZA
 TER137 SONDA TEMPERATURA "K"
 TER145 TERMOSTATO ABBATTIMENTO

TER202.05006 TERMOSTATO VAPORE
 TER213 RELÈ TERMICO
 TER216 TERMOMETRO ANALOGICO
 UGE550 UGELLO ABBATTIMENTO
 UGE655 UGELLO VAPORE
 VAL110 ELETTROVALVOLA ACQUA
 VEN150 VENTOLA

GB

INTERNAL GLASS
 HINGE BUSH
 HINGE BUSH
 COMMUTATOR
 EXTERNAL GLASS
 BLOCKS GLASS
 REVOLVING BLOCKING GLASS
 BLOCKS INNER GLASS
 HANDLE NIB
 DOOR SEAL
 BUTTON
 HALOGEN LAMP
 HANDLE
 KNOB
 MICROSWITCH
 FLOW-RATE REDUCTION UNIT
 SUPPLY TERMINAL BOARD
 MOTOR FAN
 CAPACITOR
 ADJUSTABLE FOOT
 LAMPHOLDER
 TRANSFORMER
 RESISTOR
 ORANGE INDICATOR
 GREEN INDICATOR
 HUMIDITY REGULATORS
 SCREEN PRINTED PLATTE
 CONTACTOR
 TIMER
 BUZER
 FAN TIMER
 COOKER THERMOSTAT
 SAFETY THERMOSTAT
 TERMOCOUPLE TYPE K
 FLUE-GAS SUPPRESSION
 THERMOSTAT
 STEAM CONTROL THERMOSTAT
 RELAY
 THERMOMETER
 NOZZLE
 NOZZLE
 SOLENOID VALVE
 FAN

FR

VITRE INTERNE
 COUSSINET CHARNIÈRE
 COUSSINET CHARNIÈRE
 COMMUTATEUR
 VITRE EXTERNE
 BLOQUE VERRE
 BLOCAGE TOURNANT DU VERRE
 BLOQUE VERRE INTERNE
 MENTONNET DE LA MANETTE
 JOINT PORTE INTERNE
 BOUTON
 LAMPE HALOGÈNE
 POIGNEE'
 MANETTE
 MICRO-INTERRUPTEUR
 RÉDUCTEUR DE DÉBIT
 BORNE ALIMENTATION
 MOTEUR
 CONDENSATEUR
 PIED RÉGABLE
 PORTE-LAMPE
 TRANSFORMATEUR
 RESISTANCE
 SIGNAL ORANGE
 SIGNAL VERT
 RÉGULATEUR HUMIDIFICATION
 PLAQUE SÉRIGRAPHIÉE
 TÉLÉRUPTEUR
 TEMPORISATEUR
 AVERTISSEUR ACOUSTIQUE
 TEMPORISATEUR
 THERMOSTAT DE CUISSON
 THERMOSTAT DE SÉCURITÉ
 THERMOCOUPLE TYPE K
 THERMOSTAT ABATTEMENT
 DE FUMÉES
 THERMOSTAT CNTRLE DE VAPEUR
 RELAIS
 THERMOMÈTRE
 GICLEUR
 GICLEUR
 ELECTROSOUPAPE
 VENTILATEUR

DE

INNENGLAS
 SCHARNIER BUCHSE
 SCHARNIER BUCHSE
 UMSCHALTER
 AUSSENGLAS
 BLOCK-GLAS
 DREHBLOCK-GLAS
 BLOCK-INNENGLAS
 HANDGRIFF-SPITZE
 DICHTUNG INNENTÜR
 TASTE
 HALOGENLAMPE
 GRIFF
 BEDIENKNOPF
 MIKROSCHALTER
 STROMVENTIL
 VERSORGUNGSKLEMMENLEISTE
 MOTOR
 KONDENSATOR
 STELLFÜSS
 LAMPENFASSUNG
 TRANSFORMATOR
 WIDERSTAND
 MELDER ORANGE
 MELDER GRÜN
 BASCHWANUNGREGULATION
 SIEBDRUCKSCHILD
 SCHÜTZ
 ZEITSCHALTUHR
 SUMMER
 ZEITSCHALTUHR
 GARTHERMOSTAT
 SICHERHEITSTHERMOSTAT
 THERMOELEMENT TYP K
 THERMOSTAT RAUCHFILTER
 DAMPFSTEUERTHERMOSTAT
 HILFSRELAIS
 THERMOMETER
 DÜSE
 DÜSE
 MAGNETVENTI
 LÜFTERRAD

ES

CRISTAL INTERIO
 CASQUILLO BISAGRA
 CASQUILLO BISAGRA
 CONMUTADOR
 CRISTAL EXTERIOR
 BLOQUEA VIDRIO
 BLOQUEO GIRATORIO DEL VIDRIO
 BLOQUEA EL CRISTAL INTERNO
 NARIZ
 BURLETE INTERIOR PUERTA
 BÓTON
 LAMPARA ALOGENA
 TIRADOR
 MANOPLA
 MICRO INTERRUPTOR
 REDUCTOR DE ALCANCE
 CAJA DE BORNES ALIMENTACIÓN
 MOTOR
 CONDENSATOR
 PATA CON REGULACIÓN
 PORTA-LÁMPARA
 TRANSFORMADOR
 RESISTENCIA
 SEÑAL NARANJA
 SEÑAL VERDE
 REGULATION UMIDIFICACION
 PLACA SERIGRAFADA
 TELERUPTOR
 TEMPORIZADOR
 AVISO ACÚSTICO
 TEMPORIZADOR
 TERMOSTATO DE COCCIÓN
 TERMOSTATO DE SEGURIDAD
 TERMOPARES TIPO K
 TERMOSTATO DE ABATIMIENTO
 HUMO
 TERMOSTATO CONTROL VAPOR
 RELE
 TERMÓMETRO
 INYECTOR
 INYECTOR
 ELECTROVÁLVULA
 VENTILADOR

XXXXXX -