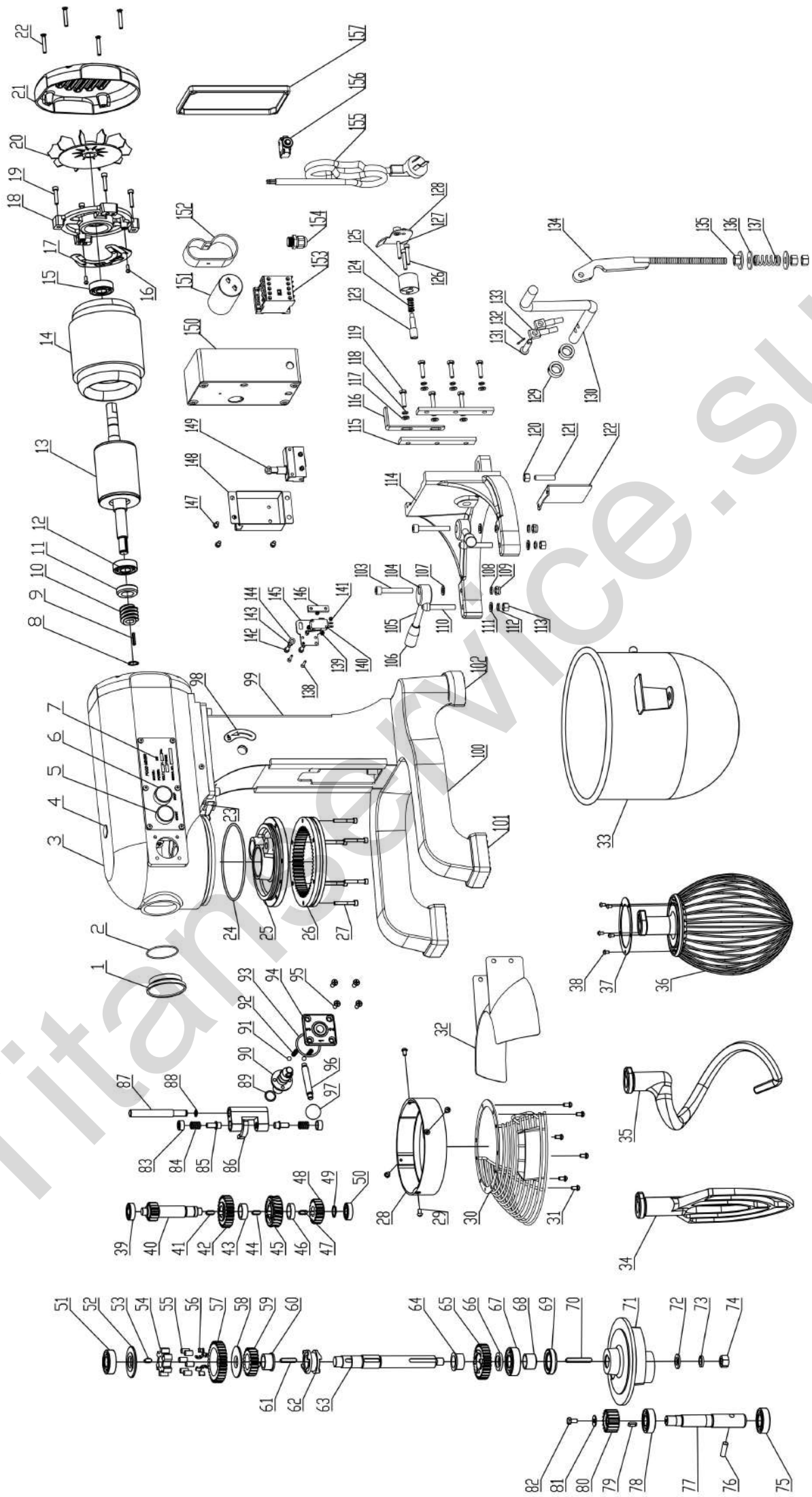


B10KB235M explosive view



B10KB235M

Pos. Ref.	Codice Code	Caratteristiche Features	Descrizione Description
1		B10K-04-04	Front Cover
2		φ50x1.8	O ring
3		B10K-04-03	Body
4		B20F-04-18	Cover for Bearing Seat Oil Hole
5	CO9852		PULSANTE START B10K Start Button
6	CO9853		PULSANTE STOP B10K Stop Button
7		B10KB-04-05	Label
8	CO9854	14	SEEGER ESTERNO 14 Shaft with card spring
9	CO9855	A3x22	CHIAVETTA A3X22 B10K Flat key
10	CO9856	B10K-01-04	VITE SENZA FINE B10K-01-04 Worm Gear
11		SG17x35x10	Skeleton oil seal
12	CO9857	6203	CUSCINETTO 6203 B10-20-30-40K Bearing
13		B10K-01-01	Motor rotor
14		B10K-01-02	Motor stator
15	CO9857	6203	CUSCINETTO 6203 B10-20-30-40K Bearing
16		M4x10	cross recess pan head screw
17			Centrifugal switch
18		B10K-01-03	Motor end cover
19		M5x25	Socket screw
20			Motor Fan
21		B10K-04-20	Back cover
22		M5x30	cross recess pan head screw
23	CO9951	Z-15GW22	FINECORSO EL. Z-15GW22 Limited Switch for Safety Cover
24		120x3	O ring
25		B10K-04-15a	Bearing pedestal
26	CO9858	B10K-01-26	CORONA DENTATA INTERNA B10K-01-26 Inner Gear
27		M5x35	Socket screw
28	CO9967	B10K-05-02-01	ANELLO COPERCHIO B10K-05-02-01 Base for Safety Cover
29		M5x8	cross recess pan head screw
30	CO9859	B10KB-05-02-02	COPERCHIO DI SICUREZZA B10KB-05-02-02 Safety Cover
31		M5x10	cross recess pan head screw
32	CO9860	B10B-05-01	COPERCHIO LATERALE B10B-05-01 Side Cover
33		B10K-04-14	Bowl
34		B10K-01-28	Beater
35		B10K-01-29	Hook
36		B10K-01-27-00	Whip
37		B10K-01-27-02	Plate for Whip Base
38		M5x10	cross recess pan head screw
39	CO9861	6001	CUSCINETTO 6001 B10K Bearing
40	CO9890	B10K-01-06	ALBERO INGRESSO B10K-01-06 Input Shaft
41	CO9891	A6x14	CHIAVETTA A6X14 B10K Flat key
42	CO9892	B10K-01-07	INGRANAGGIO ALBERO IN B10K-01-07 Input Shaft Gear
43	CO9893	B10K-01-08	MANICOTTO ALBERO IN B10K-01-08 Shaft sleeve for Input Shaft
44	CO9891	A6x14	CHIAVETTA A6X14 B10K Flat key
45	CO9894	B10K-01-05	INGRANAGGIO B10K-01-05 Worm Gear
46	CO9895	B10K-01-09	MANICOTTO ALBERO IN B10K-01-09 Shaft sleeve for Input Shaft
47	CO9891	A6x14	CHIAVETTA A6X14 B10K Flat key
48		B10K-01-10	Input Shaft Gear
49		17	Shaft with card spring
50	CO9861	6001	CUSCINETTO 6001 B10K Bearing
51	CO9857	6203	CUSCINETTO 6203 Bearing
52	CO9862	B10K-01-16	FLANGIA DI CHIUSURA B10K-01-16 Ratchet bolted cover plate
53	CO9863	A6x12	CHIAVETTA A6X12 B10K Flat key
54	CO9864	B10K-01-12	RUOTA A STELLA B10K-01-12 Star wheel within
55	CO9865	B10K-01-14	RULLO B10K-01-14 roller
56	CO9866	B10K-01-15	MOLLA A PRESSIONE B10K-01-15 Roller pressure spring
57	CO9867	B10K-01-13	CORONA DENTATA ESTERNA B10K-01-13 Outer gear
58	CO9862	B10K-01-16	FLANGIA DI CHIUSURA B10K-01-16 Ratchet bolted cover plate

59	CO9868	B10K-01-17	INGRANAGGIO SUPERIORE B10K-01-17	Top Gear
60	CO9869	B10K-01-18	BOCCOLA USCITA B10K-01-18	Output shaft gear sets
61	CO9870	A6x28	CHIAVETTA A6x28 B10K	Flat key
62	CO9871	B10K-01-19	FRIZIONE B10K-01-19	Output shaft clutch
63	CO9872	B10K-01-11a	ALBERO USCITA B10K-01-11a	Output shaft
64	CO9869	B10K-01-18	BOCCOLA USCITA B10K-01-18	Output shaft gear sets
65	CO9873	B10K-01-20	INGRANAGGIO INFERIORE B10K-01-20	Downlink gear
66	CO9874	B10K-01-21	CUSCINETTO B10K-01-21	Bearing sleeve
67	CO9875	6204	CUSCINETTO 6204 B10-20-40K	Bearing
68	CO9876	B10K-01-22	CUSCINETTO B10K-01-22	Bearing sleeve
69	CO9877	25x42x10	PARAOILIO 25x42x10	Oil seal
70	CO9878	A6x45	CHIAVETTA A6x45 B10K	Flat key
71	CO9879	B10K-01-23	RINVIO B10K-01-23	translocation
72	CO9880	12	ROSETTA 12 B10K	Flat mat
73	CO9881	12	ROSETTA ELASTICA 12 B10-20-30-40K	Spring washer
74	CO9882	M12	DADO M12 B10K	hexagon nut
75	CO9883	6004	CUSCINETTO 6004 B10K	Bearing
76	CO9884	8X26	SPINA 8X26 B10K	Straight Pin
77	CO9885	B10K-01-25	ALBERO PLANETARIA B10K-01-25	Planetary shaft
78	CO9886	J6203	CUSCINETTO J6203 B10K	Bearing
79	CO9887	A5x14	CHIAVETTA A5x14 B10K	Flat key
80	CO9888	B10K-01-24	INGRANAGGIO PLANETARIA B10K-01-24	Planetary gear
81	CO9889	6	GUARNIZIONE 6 B10-20-30K	Flat gasket
82		M6x12		hexagon bolt
83		B20F-03-12		Fork with nut
84		B20F-03-11		Fork spring
85		B10K-03-10		Fork top pin
86		B10K-03-09		Fork
87		B10K-03-08a		Fork guide
88		10		Shaft with spring
89		14x1.8		O ring
90		B10K-03-03		Variable speed core shaft
91		B20F-03-05		Gears with ball
92		B20F-03-06		Gears with spring
93		37.5x2.65		O ring
94		B10K-03-04		Change seat
95		M6x12		cross recess pan head screw
96		B10K-03-01		Variable speed handle
97		M8		Ball of handle
98		B20K-06-01		Sticker
99		B10KB-04-06-02		Upright
100		B10K-04-08		Base
101		B10K-04-08-01/03		rubber feet
102		B10K-04-08-02/04		rubber feet
103		M8x55		Socket screw
104		B20K-04-11-01		base for VAT lock
105		B10K-03-01		handle for VAT lock
106		B10L-03-01-01		rubber for handle
107		8		Flat washer
108		8		Spring washer
109		M8		nut
110		B20K-04-10		VAT positioning pin
111		8		Flat washer
112		8		Spring washer
113		M8		hexagon nut
114		B10KB-04-09		base
115		B10K-04-13		clamp
116		B20KB-08-01		plate for limited switch bowl
117	CO9889	6	GUARNIZIONE 6 B10-20-30K	Flat gasket
118		6		Spring washer
119		M6x25		hexagon bolt
120		M8		hexagon nut

121		M8×35		screw
122		B10KB-07-07		plate for bowl
123		B10KB-07-02		mandril
124		SPL520-01-14-05a		Spring
125		B20KB-07-01		base
126		M5×30		soket head cap screw
127		5×30		round pin
128		B20KB-07-04		plate for limited switch
129		B20K-02-13		ring
130		B10K-02-15		handle
131		8×40×2		pin
132		3.2x18		pin
133		B10K-02-12		studdle
134		B10K-02-14		Lifting connecting rod
135		M10		hexagon nut
136	CO9896	10	GUARNIZIONE 10 B10-20-30K	Flat gasket
137	CO9897	B20L-02-04	MOLLA B20L-02-04 B10-20-30K	spring
138		M3×20		cross recess pan head screw
139		M3		hexagon nut
140	CO9898	RV-156-1C25	FINECORSO EL. RV-156-1C25 B10K	Limited switch for bowl
141		M3		hexagon nut
142		M5×16		cross recess pan head screw
143		5		spring
144		5		Flat washer
145		B10KB-07-05		base
146		B20KB-07-06		Adjusting nut plate
147		M5×10		cross recess pan head screw
148		B20KB-08-02		Box for limited switch
149	CO9899	SN7311	FINECORSO EL. SN7311	Limited switch for bowl
150		B20K-05-05		electric box
151	CO9900		CONDENSATORE DI AVVIO B10K	starting capacitor
152				Capacitance clip
153	CO9905		TELERUTTORE B10K	AC Contactor
154	CO9903	M16×1.5	PRESSACAVO M16X1,5	Power cord lockout
155	CO9904		CAVO ELETTRICO+SPINA B10-20K235M	Electric wire
156	CO9907		PROTEZIONE TERMICA 8A B10K	Over load protector
157		B20K-05-06		cover of electric box
158				
159				
160	CO10033	ELPLB10K235M	MOTORE ELPLB10K235M	

(*): fuori produzione / out of production

● : ricambio consigliato / spare part suggested